



# BLOQ

g l a s s

**SISO-Q60 | SISO - Q110**

More than

a compact

sliding door

system.

Systems for glass  
partitions and  
sliding doors.

[www.siso.dk](http://www.siso.dk)

SLIDING

# BLOQ

## g l a s s

**BLOQ** is a product range of systems for frameless sliding glass doors that stands out for its quality, design, innovative technology, easy installation, and a strong commitment to sustainability.

It is a product with exceptional design that is evident in every user experience and with a clear objective: to reduce dimensions and increase performance.

### Key features:

- System for domestic and commercial applications, supporting weights up to **60kg** for the **SV-Q60** system and 110kg for the **SV-Q110**.
- **Compact profiles** that combines functionality, aesthetics, and space-saving qualities, offering a versatile and elegant solution for different spaces and needs.
- **3 unique profiles** (including fixed glass) for all installation variations and available weights.
- Profiles available in **various finishes** for maximum architectural adaptability.
- Installation options include wall mounting, ceiling mounting, false ceiling mounting, and false ceiling with lintel, with or without fixed glass.
- Clamp **with new anti-derailment technology** (using ball-bearing) increased safety and traction capacity.
- **Ball-bearing rollers** for smooth and silent sliding.
- **Minimum door width of 600mm** with double way soft close.
- **SofTop; double action (soft opening and closing)** in a single damping brake. Installable and removable anytime after installation.
- **All adjustments are frontal**, ensuring a remarkably straightforward installation process.
- **Adjustable:** the possibility to add or remove it after installation.
- **No glass machining** is required for any of the applications.
- **Appius+ certification** according to EN 1527 standard for the entire range. Durability grade of **200,000 test cycles** and Corrosion grade 4: 240 hours in a saline chamber. **With SofTop the** durability grade 6: 100,000 cycles and Corrosion grade 4: 240 hours in a saline chamber.
- We firmly believe in what we do, which is why we are extending the **warranty** from 5 to **10 years**.
- **New packaging:** more **sustainable** than ever.

### DOWNLOAD LIBRARY



### INSTALLATION VIDEO



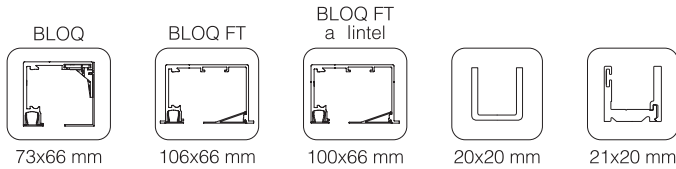
is more...





...  
**quality**  
**design technology**  
**easy installation**  
**sustainability**

# Profiles



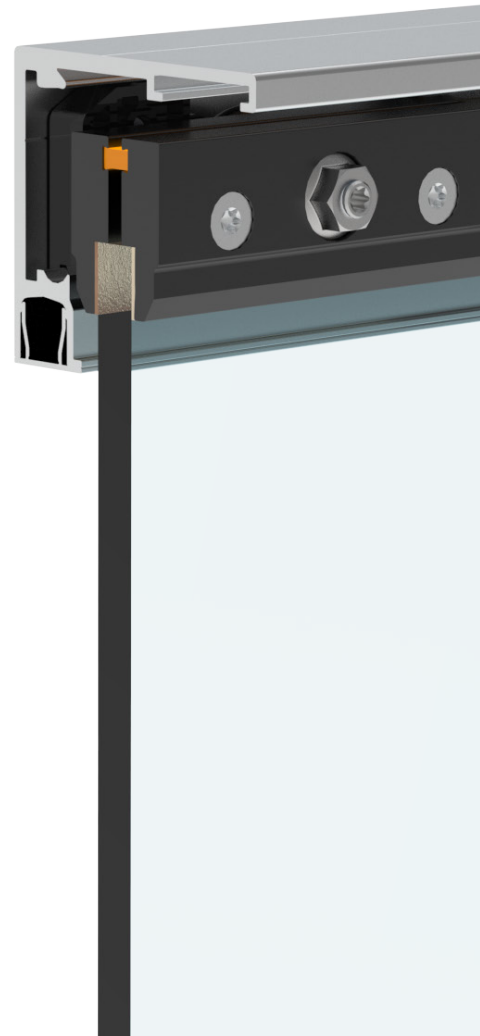
The profiles of the **BLOQ GLASS** range features outstanding design, created with the firm purpose of reducing dimensions in all its aspects and maximizing its performance.

Elegance, innovative technology, and ease of installation come together to make BLOQ profiles a *must* for compact systems.

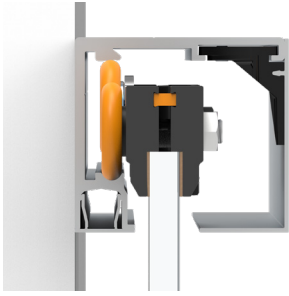
## 4

### /Features

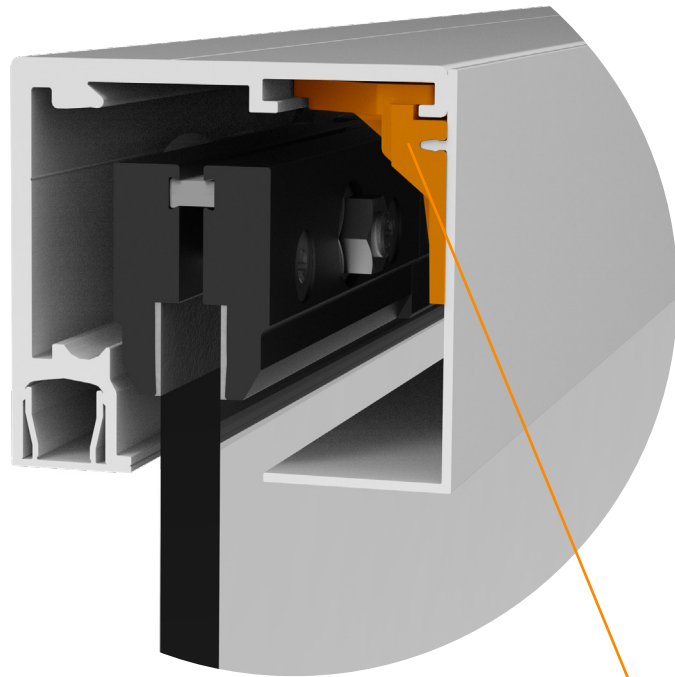
- Product range with **3 top tracks**: surface-mounted profile (wall and ceiling), false ceiling profile, and false ceiling with lintel profile. Each of them allows installation with **sliding and sliding + fixed glass** and is suitable for **60Kg and 110Kg**, making it perfect for **stock optimization**.
- **Reduced dimensions**: 73x66mm (surface-mounted profile).
- Compatible for both weights available: **SV-Q60** roller carriage up to **60kg** and **SV-Q110 up to 110kg**.
- Surface mounted track supplied **pre-drilled** for wall mount.
- Retaining brakes, SofTop Activator, and pelmet Cover Clip can be installed or removed anytime, **making no need of have registers along the track**.
- **Available finishes**: satin anodized aluminium, matte white lacquer aluminium, matte black lacquer aluminium, and for customer customization, a mill finish.



/Clip for  
permet cover



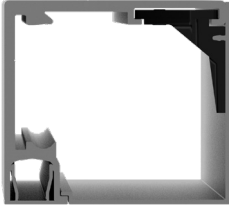
Clip for pelmet cover with  
geometry designed to reinforce  
rigidy and straightness.



Small dimensions,  
great performance.

# Tracks

## /Cube Pelmet Cover



Cube Pelmet Cover: BLOQ concept compactness at maximum expression.



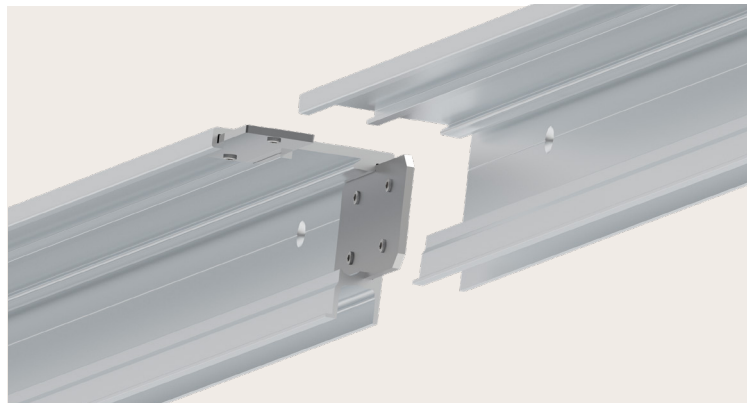
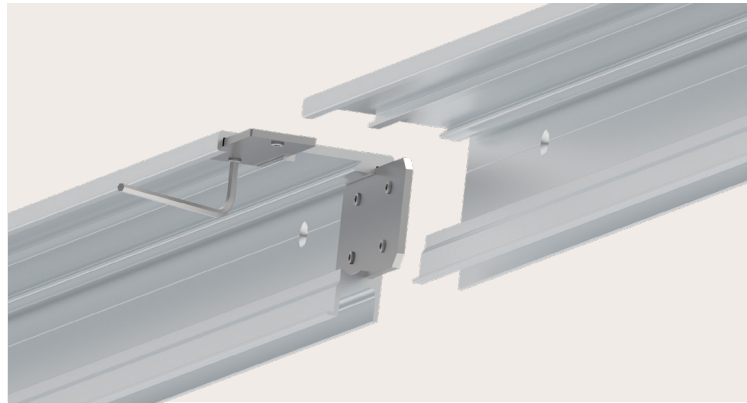
6





## /Top tracks connector

- The track connector **is supplied as an accessory** and is an ideal option for **extending the range of guide lengths while optimizing shipping costs.**
- **The tracks are joined and aligned** using two metallic plates screwed directly onto the profile. **Working with two connection points helps minimize the interference along the roller path,** ensuring a smooth and seamless transition.



# Clamps

The clamp of any sliding door system should be synonymous with quality, safety, ease of installation, and durability; BLOQ meets all these requirements and, on top of that, it dresses in black for the occasion. Let us tell you more about it.

**Ball-bearing** for smooth, silent, and effortless sliding.

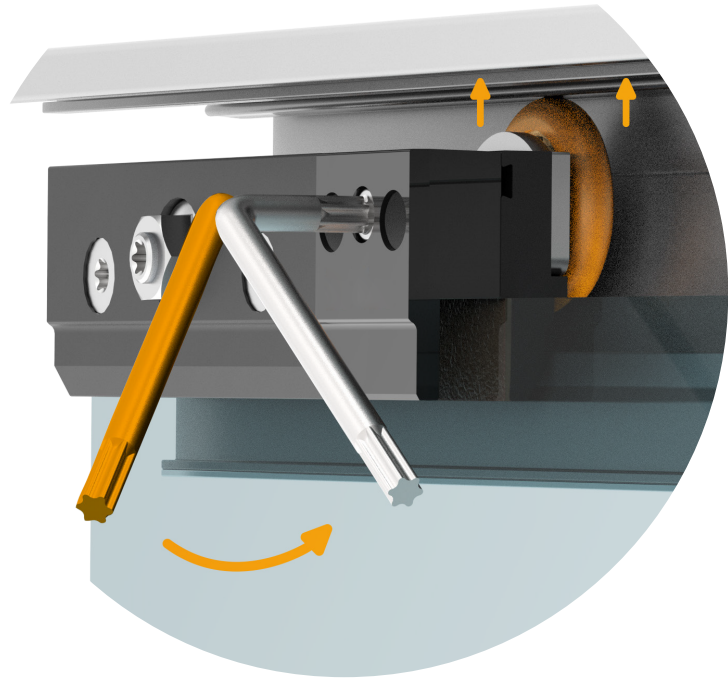


**Three different thicknesses** of technical polyamide in different colors (gray, orange, and black) **to adapt the clamp to the different thicknesses 8, 10, and 12 mm** (tempered glass) **and 8.76, 10.76, and 12.76 mm** (laminated glass). We bid farewell to glass thickness adjustment screws, embracing a quicker and more efficient fixing alternative.



**/Anti-derailment:**

- **Innovative technology:** protects the door from derailing even when subjected to sudden movements.
- **Easy installation:** the anti-derailment roller unlocks and locks into the profile with a simple twist of a TX30 key.
- **Highest level of security:** By eliminating clearances, the new anti-derailment system ensures greater security and smoother sliding thanks to the ball bearing roller.



Clamp SV-Q60

**Superior traction capacity**  
compared to previous models.

All **adjustments are frontal**, and **only a TORX® (TX 30) key is required:** the optimal method for screwing thanks to its superior torque transmission and reduced risk of damaging the screw notch.

# Bloq

# in black

# Damping system

Damping systems allow for smooth and impact-free closing and opening, extend the product's lifespan, and provide security in your home or office. Can you imagine being able to install them on extremely narrow doors with minimal opening effort? **SofTop makes it possible.**

## /SofTop SV-Q60 | SV-Q110

- Installable with a minimum door panel width of only 600mm.
- **Double way soft closing** (opening and closing) in the final 10 cm of sliding using a single device.
- **Opening force reduced by 40%** (27N for SV-Q60 and 40N for SV-Q110), providing comfort and easiness of use for all users.
- **Adjustable:** the possibility to add or remove it after installation.
- Horizontal placement on the sliding panel ensures **greater stability**.
- Activators that **allow independent adjustment of the panel** at any stage of installation.
- **All adjustments are frontal**, ensuring a remarkably straightforward installation process.
- **Three different spacer** of technical polyamide in different colors (gray, orange, and black) **that adapt the SofTop clamps to different glass thicknesses of 8, 10, and 12 mm** (tempered glass) and **8.76, 10.76, and 12.76 mm** (laminated glass).
- **Applus+ certification** according to EN 1527 standard for the entire range. Durability grade of **200,000 test cycles** and Corrosion grade 4: 240 hours in a saline chamber. **With SofTop the durability grade 6:** 100,000 cycles and Corrosion grade 4: 240 hours in a saline chamber.

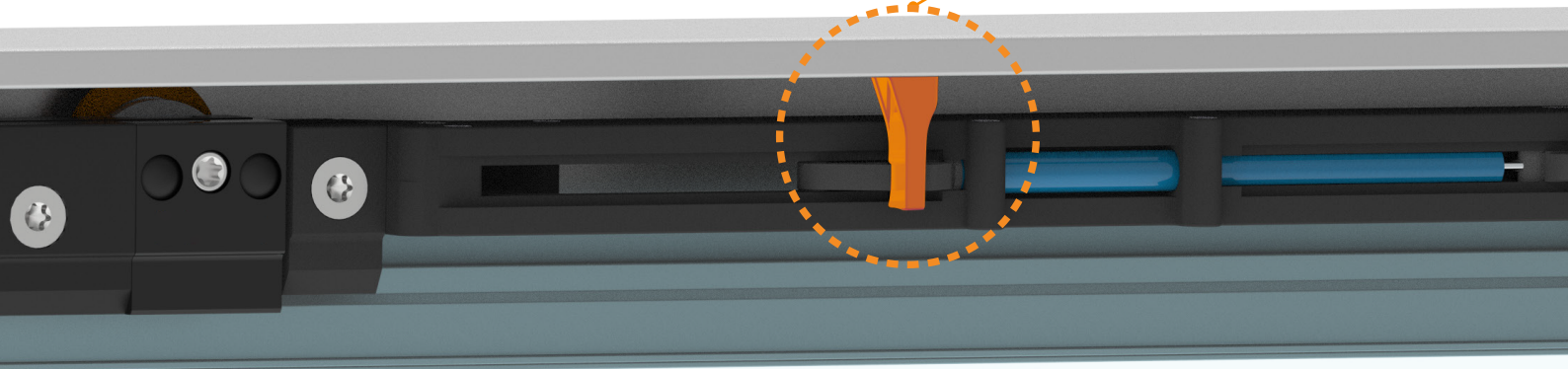
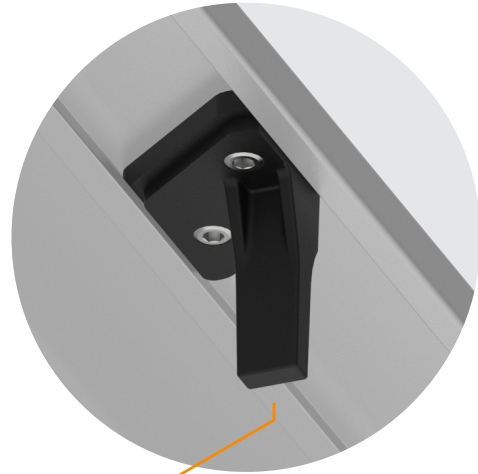
## /Retainers (without SofTop installation)

- With **metal inserts for added robustness**.
- **They act directly against the roller**, providing greater retention.
- Retainers **are frontally installable and removable anytime after installation**.

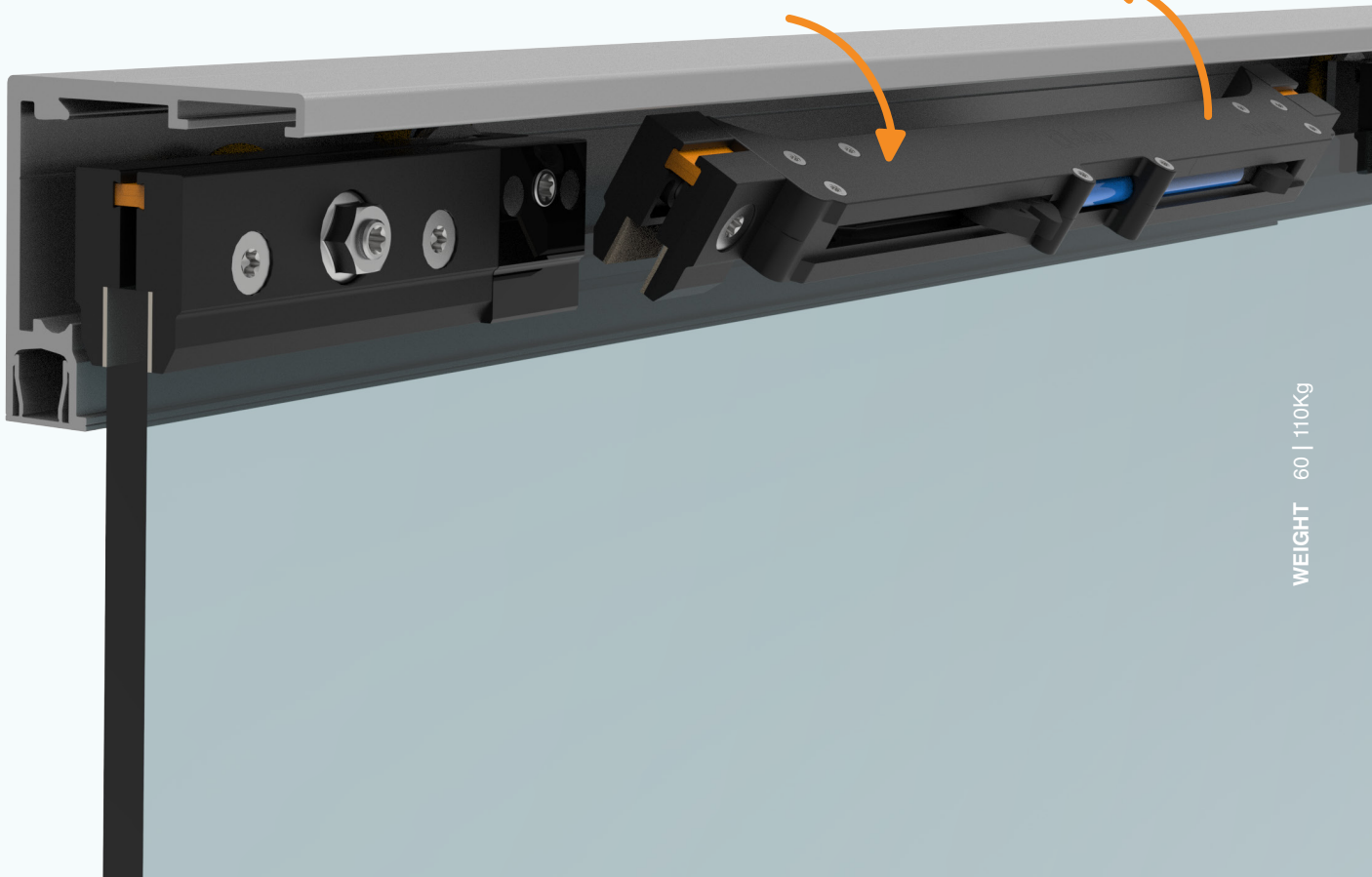


## /SofTop activators

- SofTop operates independently of the height adjustment of the installation, thanks to the new arrangement of the activators in relation to the SofTop itself. Which is installed horizontally
- Activators made of technical plastic with a **metal insert** to provide an **extra point of rigidity in the fixation.**
- SofTop activators **are frontally installable and removable anytime after installation.**



Frontally installable and removable anytime after installation



# Warranty and sustainability

**Excellence in quality** is a fundamental part of our corporate culture. With BLOQ, we have set out to go beyond and provide **a system with added value**:

- We offer Applus+ certification according to EN1527 regulations for a **durability of 200,000 cycles** for systems with a retaining brake, thus doubling the previously established standards for the SISO product.
- We firmly believe in what we do, which is why we are extending the **warranty** from 5 to **10 years**.



# High standards, minimal environmental impact



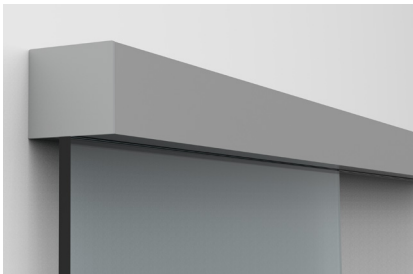
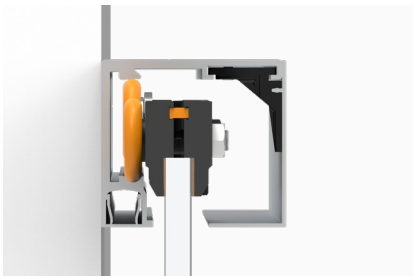
Caring for the environment is caring for ourselves and future generations. BLOQ applies the following practices to help **minimize environmental impact**:

- **As the rest of SISO systems 100% manufactured in EU** to minimize the logistical footprint of materials.
- **We have our own plastic injection plant and use recycled materials** in the components of our products.
- **In all our packaging**, we opt for recycled and recyclable cardboard boxes.
- **We work on aluminum recycling**, committed to reducing emissions by extending the lifespan of materials.

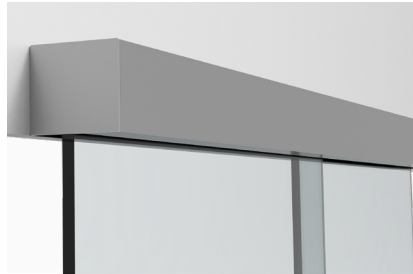
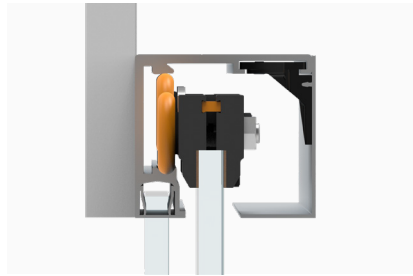


# Installation possibilities

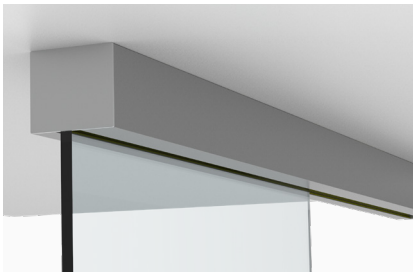
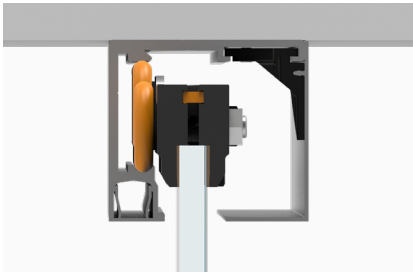
WALL



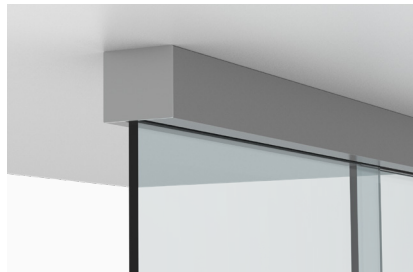
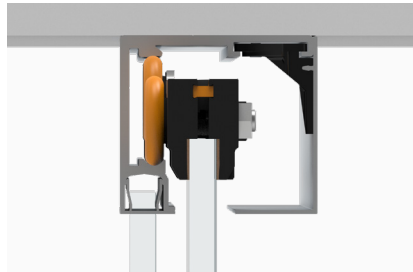
WALL WITH FIXED PANEL



CEILING



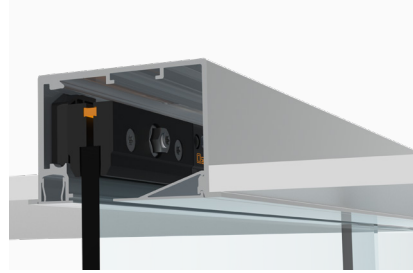
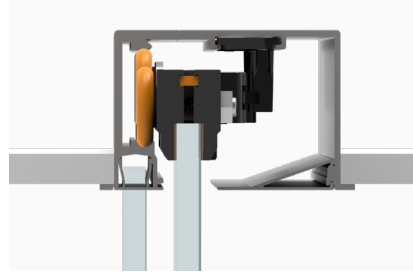
CEILING WITH FIXED PANEL



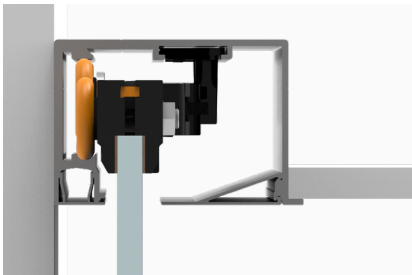
FALSE CEILING



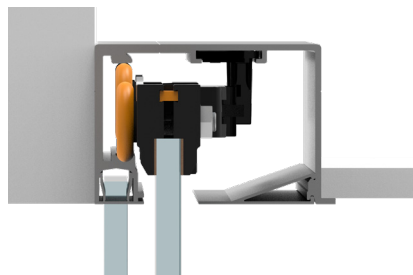
FALSE CEILING WITH FIXED PANEL



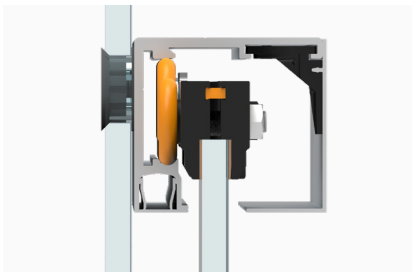
FALSE CEILING WITH LINTEL



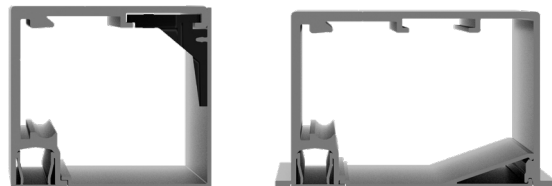
FALSE CEILING WITH LINTEL WITH FIXED GLASS



GLASS WALL



CUBE PELMET COVER

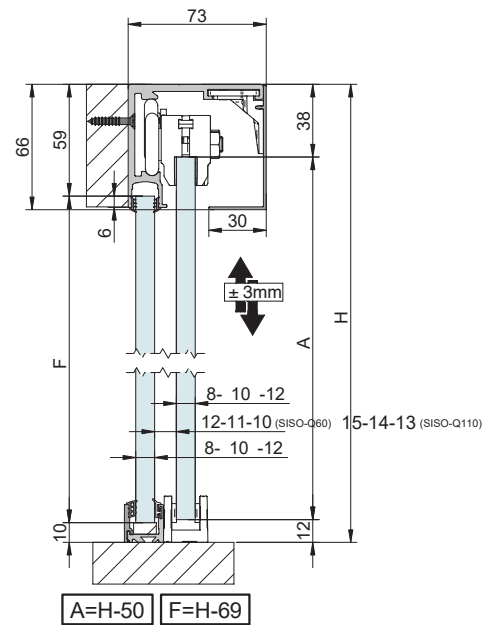
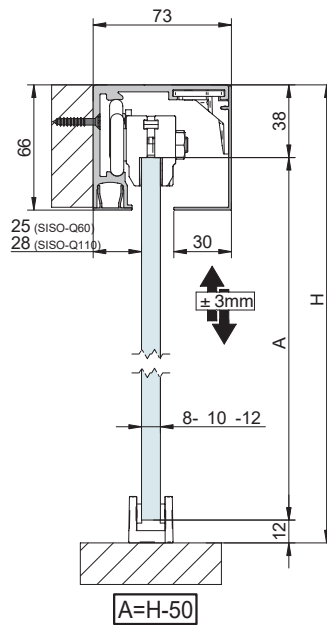


# Cross-section

(Dimensions in mm)

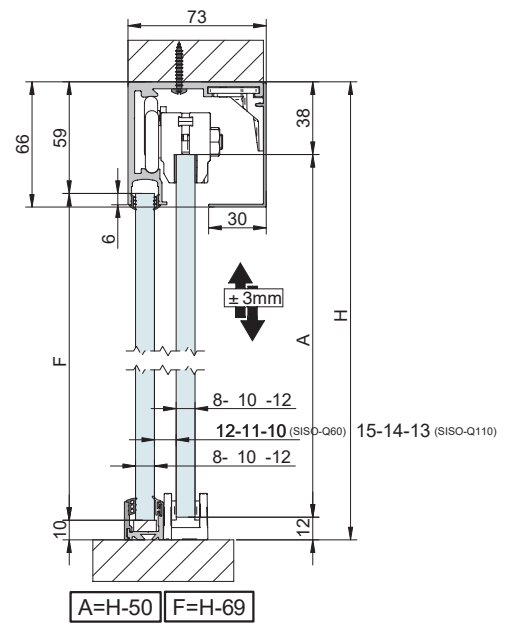
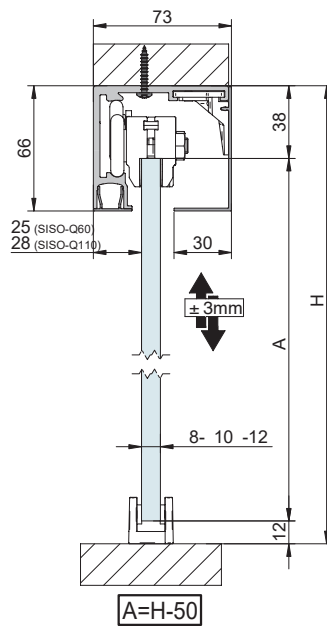
## /Wall mounting

SISO-Q60  
SISO-Q110



## /Ceiling mounting

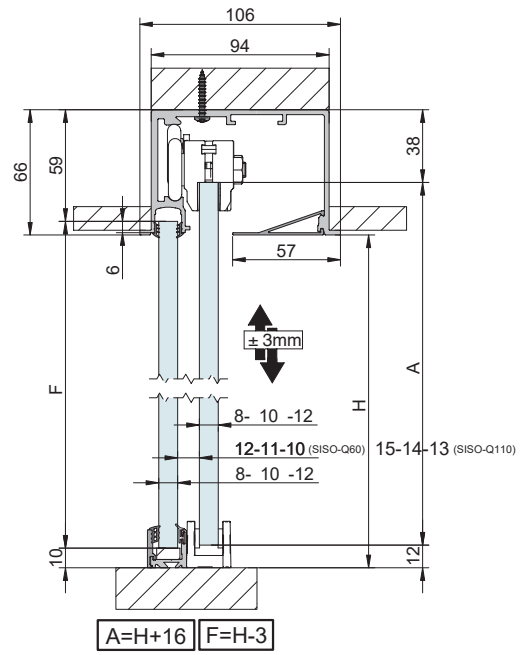
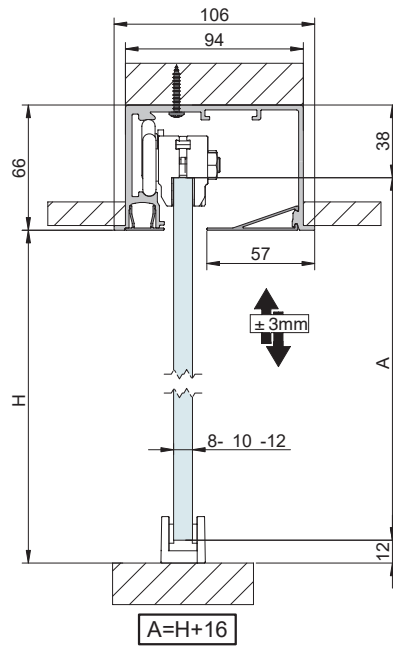
SISO-Q60  
SISO-Q110





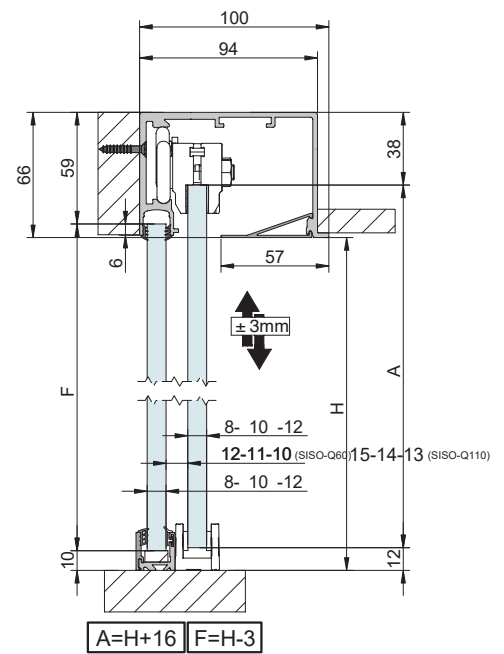
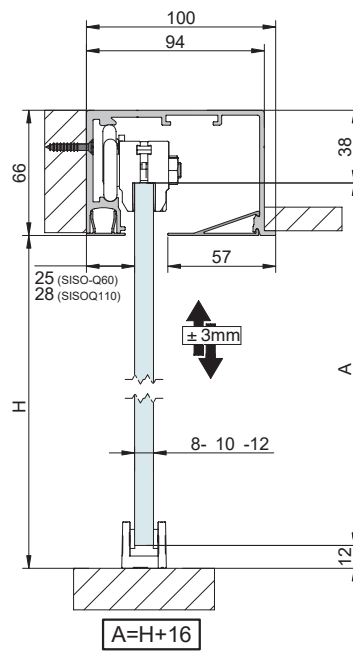
**/False ceiling mounting**

SISO-Q60  
SISO-Q110



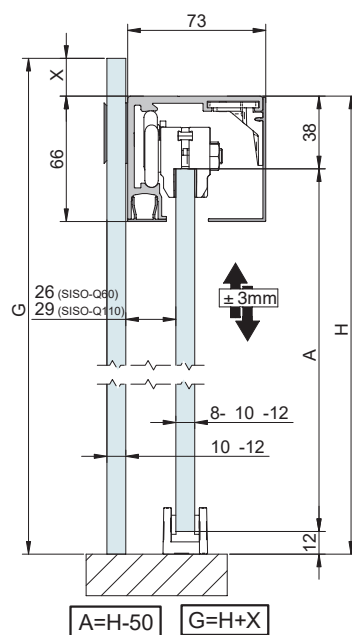
**/False ceiling with lintel**

SISO-Q60  
SISO-Q110



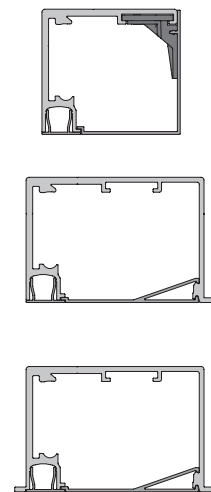
**/Glass wall mounting**

SISO-Q60  
SISO-Q110



**/Cube pelmet covers**

SISO-Q60  
SISO-Q110

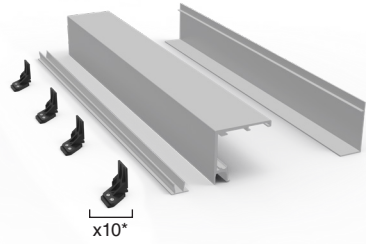

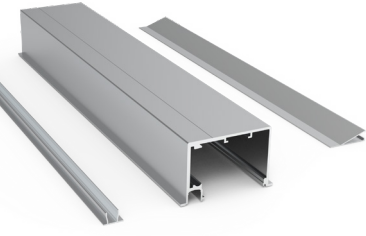



# Components

	<b>SISO-Q60</b> 	<b>SISO-Q110</b> 				
8 mm 10 mm 12 mm	12 mm 11 mm 10 mm	15 mm 14 mm 13 mm	<b>SOFTOP</b> 600 mm	<b>SOFTOP</b> MÁX.60-110Kg	<b>RODAMIENTO A BOLAS</b> BALL BEARING ROULEMENT À BILLES	<b>KIT DISPONIBLE</b> I AVAILABLE


<b>MF</b>	<b>S</b>	<b>WL</b>	<b>BL</b>	<b>PVCT</b>	<b>PVCB</b>	<b>SP</b>	<b>BP</b>	<b>WP</b>
Mill finish aluminium	Satin anodized aluminium	White lacquered aluminium	Black lacquered aluminium	Transparent PVC	Black PVC	Silver plastic	Black plastic	White plastic

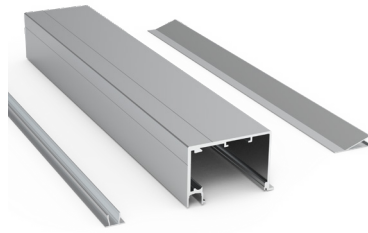
**/Profiles**

	Finish	Cód.		
 <p><b>BLOQ</b> sliding top track set / sliding + fixed glass</p>  <p>73x66 mm</p>	<b>MF</b>	0 113 23	2 m	1 set
		0 113 33	3 m	
		0 113 43	4 m	
		0 113 63	6 m	
	<b>S</b>	0 112 20	2 m	
		0 112 30	3 m	
		0 112 40	4 m	
		0 112 60	6 m	
	<b>WL</b>	0 112 22	2 m	
		0 112 32	3 m	
		0 112 42	4 m	
		0 112 62	6 m	
<b>BL</b>	0 112 23	2 m		
	0 112 33	3 m		
	0 112 43	4 m		
	0 112 63	6 m		
 <p><b>BLOQ FT</b> false ceiling sliding top track set / sliding + fixed glass</p>  <p>106x66 mm</p>	<b>MF</b>	0 113 24	2 m	1 set
		0 113 34	3 m	
		0 113 44	4 m	
		0 113 64	6 m	
	<b>S</b>	0 112 24	2 m	
		0 112 34	3 m	
		0 112 44	4 m	
		0 112 64	6 m	
	<b>WL</b>	0 112 25	2 m	
		0 112 35	3 m	
		0 112 45	4 m	
		0 112 65	6 m	
<b>BL</b>	0 112 26	2 m		
	0 112 36	3 m		
	0 112 46	4 m		
	0 112 66	6 m		

\*The number of clips varies depending on according to the length of the profile: 2m = 4 clips | 3m = 6 clips | 4m = 8 clips | 6m = 10m

/Profiles



Finish Cód.  



**BLOQ FT with lintel** false ceiling with lintel sliding track set / sliding + fixed glass.



100x66 mm



Finish	Cód.		
MF	0 113 25	2 m	1 set
	0 113 35	3 m	
	0 113 45	4 m	
	0 113 65	6 m	
S	0 112 27	2 m	
	0 112 37	3 m	
	0 112 47	4 m	
	0 112 67	6 m	
WL	0 112 28	2 m	
	0 112 38	3 m	
	0 112 48	4 m	
	0 112 68	6 m	
BL	0 112 29	2 m	
	0 112 39	3 m	
	0 112 49	4 m	
	0 112 69	6 m	



**BLOQ Cube** pelmet cover.



55x66 mm

Finish	Cód.		
MF	0 113 36		2 profiles
S	0 113 30	3 m	
WL	0 113 31		
BL	0 113 32		

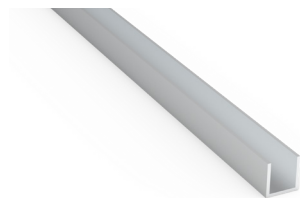


**BLOQ Cube FT / FT with lintel** pelmet cover.



73x13 mm



Finish	Cód.		
MF	0 113 37		2 profiles
S	0 113 38	3 m	
WL	0 113 39		
BL	0 114 30		

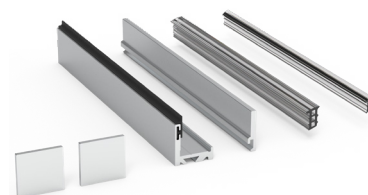


Bottom track for fixed glass of 8-10-12mm



20x20 mm



Finish	Cód.		
S	00 87 15	1,5 m	2 profiles
	00 87 30	3 m	
	00 87 60	6 m	
WL	00 88 15	1,5 m	
	00 88 30	3 m	
	00 88 60	6 m	
BL	00 89 15	1,5 m	
	00 89 30	3 m	
	00 89 60	6 m	



Bottom track front entry for fixed glass of 8-10-12mm



21x20 mm

Finish	Cód.		
S	0 110 32 <sup>1</sup>		1 set
WL	0 110 34 <sup>1</sup>	3 m	
BL	0 110 35 <sup>1</sup>		

<sup>1</sup>The profile includes the joint + sets of side covers. 2 meters - 2 sets of covers. 3 meters - 4 sets of covers. 6 meters - 6 sets of covers.

**SISO-Q60** Fitting set. x2 Retaining stopper

60kg



BALL BEARING

00 62 01

1 set

**SISO-Q60** Fitting set. x1 Double SofTop

60kg



BALL BEARING

00 62 02

1 set

**SISO-Q110** Fitting set. x2 Retaining stopper

110kg



BALL BEARING

0 110 01

1 set

**SISO-Q110** Fitting set. x1 Double SofTop

110kg








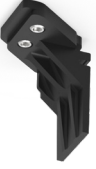

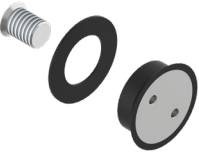


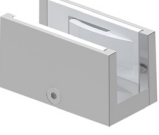
BALL BEARING

0 110 02

1 set

/Accessories

Finish Cód.  

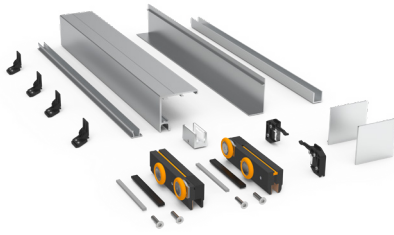
	<p>Lateral cap set for sliding top track / with fixed glass. Ceiling and wall mounting</p>  <p>73x66 mm</p>	<p>SP BP WP</p>	<p>00 70 74 00 70 76 00 70 75</p>	<p>1 set</p>
	<p><b>SISO-Q60</b> double SofTop <b>60kg</b></p>		<p>00 62 03</p>	<p>1 set</p>
	<p><b>SISO-Q110</b> double SofTop <b>110kg</b></p>		<p>0 110 03</p>	<p>1 set</p>
	<p><b>Clip for BLOQ</b> top tracks. Included in the profile set</p>		<p>0 112 02</p>	<p>10 pieces</p>
	<p><b>SISO-Q60 / SISO-Q110</b> top tracks connector</p>		<p>0 112 01</p>	<p>1 piece</p>
	<p>Glass wall support</p>		<p>00 70 84<sup>1</sup></p>	<p>10 pieces</p>
	<p>PVC profile gasket</p>  <p>2x8mm 3x11mm 4x11mm</p>	<p>PVCT PVCB</p>	<p>00 45 82 (2mm) 00 45 87 (3mm) 00 45 84 (4mm) 00 45 83 (2mm) 00 45 90 (3mm) 00 45 85 (4mm)</p>	<p>1 piece</p>
	<p>Bottom guide for glass of 8-14mm</p>	<p>S WL BL</p>	<p>0 155 73 00 71 90 00 71 80</p>	<p>1 piece</p>

<sup>1</sup>For sets that incorporate a wall support with 2 m, 3 m, 4 m or 6 m profiling, apply every 400 mm. 2 m - 6 supports wall | 3 m - 8 supports wall | 4 m - 10 supports wall | 6 m - 15 supports wall

## /Kits

Finish

Cód.



**SISO-Q60** kit x2. Retaining stopper With or without fixed glass.

60kg per panel



73x66 mm



BALL BEARING



0 912 01 2 m  
0 912 02 3 m

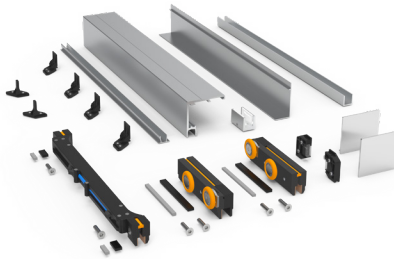


0 912 03 2 m  
0 912 04 3 m



0 912 05 2 m  
0 912 06 3 m

1 kit



**SISO-Q60** kit x1. Double SofTop With or without fixed glass.

60kg per panel



73x66 mm



BALL BEARING



0 912 07 2 m  
0 912 08 3 m

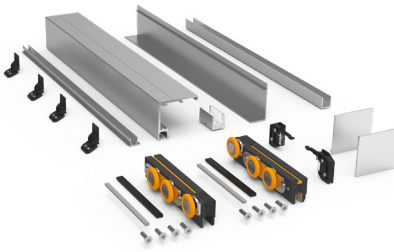


0 912 09 2 m  
0 912 10 3 m



0 912 11 2 m  
0 912 13 3 m

1 kit



**SISO-Q110** kit x2. Retaining stopper With or without fixed glass.

110kg per panel



73x66 mm



BALL BEARING



0 912 14 2 m  
0 912 15 3 m



0 912 16 2 m  
0 912 17 3 m



0 912 18 2 m  
0 912 19 3 m

1 kit



**SISO-Q110** kit. x1 Double SofTop With or without fixed glass.

110kg per panel



73x66 mm



BALL BEARING



0 912 20 2 m  
0 912 21 3 m



0 912 22 2 m  
0 912 23 3 m



0 912 24 2 m  
0 912 25 3 m

1 kit



**BLOQ GLASS**  
SISO - Q60 | SISO - Q110



*- high quality furniture fittings*

Mileparken, 11. DK - 2740 Skovlunde  
(Copenhagen), Denmark

Phone: (+45) 45 830 900  
E-mail: [siso@siso.dk](mailto:siso@siso.dk)  
Web: [www.siso.dk](http://www.siso.dk)